



Food and Beverage
Solutions Provider

LEVER CITRUS JUICER #10



Internationally
patented models



Quiet and heavy duty citrus juicer

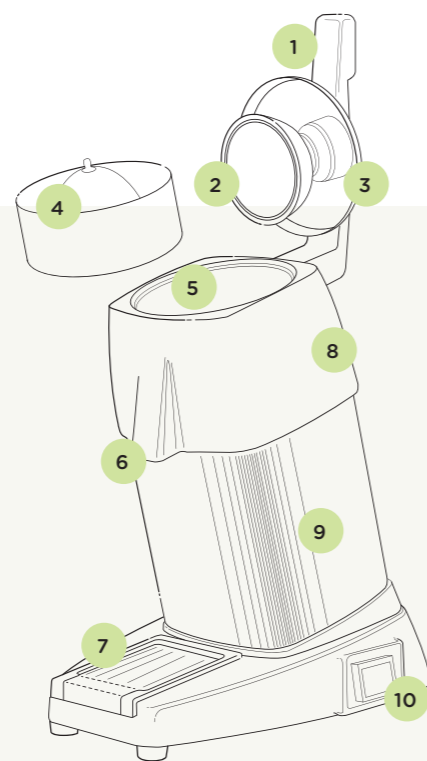
Equipped with a heavy duty commercial asynchronous motor, this lever citrus juicer is built to last.

It has been a must-have for bars and restaurants around the world since 1954.

Easy to use, thanks to its universal squeezer, it extracts the juice of all types of citrus fruits (such as lemons, oranges and grapefruits) by a simple pressure of the lever.



30l/h



- | | |
|---|--|
| 1 Articulated lever | 6 High spout: 135 mm (5") |
| 2 Stainless steel cup | 7 Removable drip tray |
| 3 Stainless steel deflector
Protects from any juice splash | 8 Special clutch system: instant start and stop |
| 4 Removable perforated stainless steel strainer:
maximum extraction | 9 Heavy duty and quiet asynchronous motor |
| 5 Stainless steel bowl | 10 Chromed or painted motor base |

The professional art of juicing since 1954

We have the juicer adapted to your needs, to make juice by the glass or in a jug.

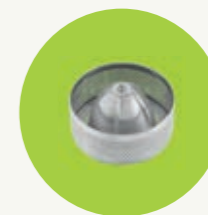
Equipped with professional, robust and powerful motors, they are designed to quickly press all types of citrus. They are very easy to clean: all parts in contact with food are removable.



Simplicity

Special clutch system:
Instant start and stop.

Universal strainer
for maximum juice extraction of lemons, oranges and grapefruits.



Durability

Built in **aluminium and stainless steel.**

Heavy duty and quiet **asynchronous motor.**

Longtime® label: proof of its robustness and durability.

Safety, standards, hygiene

In accordance with the following regulations

- Machinery directive 2006 / 42 / EC
- Electromagnetic compatibility 2014 / 30 / EU
- "Low voltage" directive 2014 / 35 / EU
- RoHS directive 2011 / 65 / EU
- Regulation 1935 / 2004 / EC (contact with food)
- WEEE Directive 2012/19/EU

Harmonized European Standards

- EN 1672-2+A1: 2009
- EN ISO 12100: 2010
- EN 60204-1+A1: 2009
- EN 60335-2-64:2004 Commercial electric kitchen machines
- CE Marking, UL (USA), cUL (Canada), NSF (USA)

Thermal safety Motor protected by internal thermal detector and overload protector

Electrical safety All mechanical parts are ground connected
Appliances are 100% tested after assembly
On/Off interlock switch is waterproof

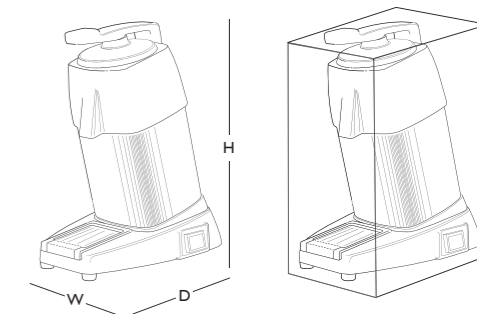
Acoustic Safety Silent asynchronous motor

Hygiene All removable parts can be put in a dishwasher or easily cleaned with hot soapy water

Technical specifications

Motor
Single phase:
100-120 V - 50/60 Hz - 260 W - NSF, CE, UL
220-240 V - 50/60 Hz - 230 W - CE

Speed:
1 500 rpm (50 Hz)
1 800 rpm (60 Hz)



Appliance
W: 200 mm (8")
D: 300 mm (12")
H: 380 mm (15")

Shipping box
W: 250 mm (10")
D: 340 mm (13")
H: 440 mm (17")

Net weight:
9,2 Kg (20 lbs)

Packed weight:
9,6 Kg (22 lbs)

PRODUCT: 2-YEAR WARRANTY | **MOTOR:** 5-YEAR WARRANTY

SANTOS
Citrus Juicer With Lever #10
From date: 04/2020
From serial number: 1136626

